

Motion detector - Professional Line

IS 345

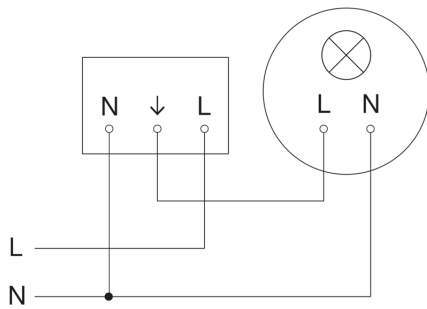
COM1 - concealed, rd.
EAN 4007841 033811
Article number 033811



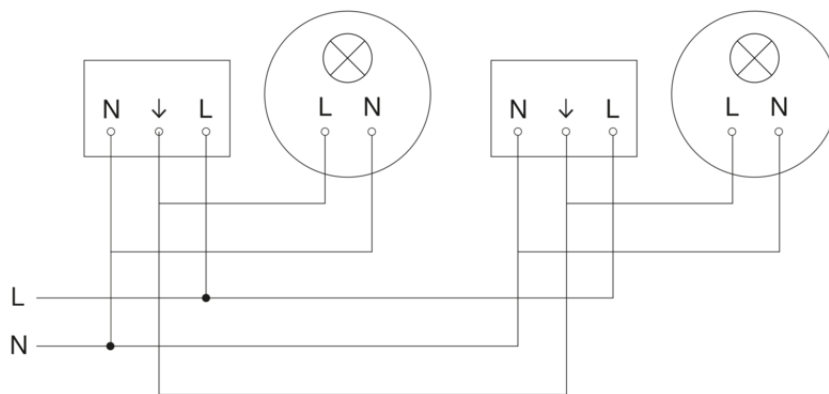
IS 345

COM1 - concealed, rd.
EAN 4007841 033811
Article number 033811

Circuit diagram



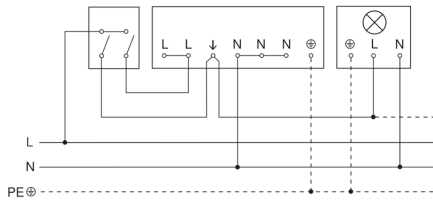
Circuit diagram for interconnecting several sensors



IS 345

COM1 - concealed, rd.
EAN 4007841 033811
Article number 033811

Connection using two-circuit switch for manual and automatic operation



Circuit diagram Connection via a changeover switch for continuous and automatic operation

